

Bourdon tube pressure gauge with USB interface

Plastic case

Model PGT10-USB

WIKA data sheet PV 11.07



Applications

- Laboratory technology
- General machine building

Special features

- USB interface for measured-value display on the PC
- Non-contact sensor (wear-free)
- Nominal size 50
- Scale ranges 0 ... 1.6 bar to 0 ... 400 bar



Bourdon tube pressure gauge model PGT10-USB

Description

Design

EN 837-1

Nominal size in mm

50

Accuracy class

2.5

Scale ranges

0 ... 1.6 to 0 ... 400 bar

or all other equivalent vacuum or combined pressure and vacuum ranges

Pressure limitation

Steady: 3/4 x full scale value

Fluctuating: 2/3 x full scale value

Short time: Full scale value

Permissible temperature

Ambient: -20 ... +60 °C

Medium: +60 °C maximum

Temperature effect

When the temperature of the measuring system deviates from the reference temperature (+20 °C): max. $\pm 0.4 \%$ /10 K of the span

Process connection

Copper alloy, lower mount (LM)

G 1/4 B (male), 14 mm flats

Pressure element

Copper alloy, C-type

Movement

Copper alloy

Dial

Plastic, white, black lettering

Pointer

Plastic, black

Case

Plastic

Window

Plastic, crystal-clear (PC)

Ingress protection

IP 41 per EN 60529 / IEC 529

Signal output

USB 2.0, virtual COM port

Electrical connection

USB connector, model A

Cable to the USB connector: Standard length 2 m

System requirements

- CPU with 1 GHz
- At least 20 MB free hard disc space
- CD-ROM drive
- 256 MB RAM
- Microsoft® Windows® XP and Windows 7
- Mouse
- Free USB port

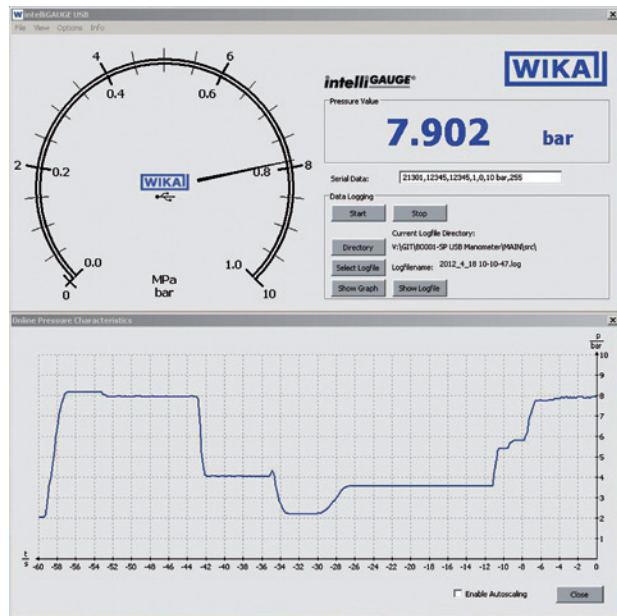
Performance data

- Manual recording interval
- Data export to other programs e.g. Excel
- Language: English
- Representation of the dial with current pointer position
- Graphical representation of the pressure profile

Windows is a registered trademark of Microsoft Corporation in the United States and other countries.

Options

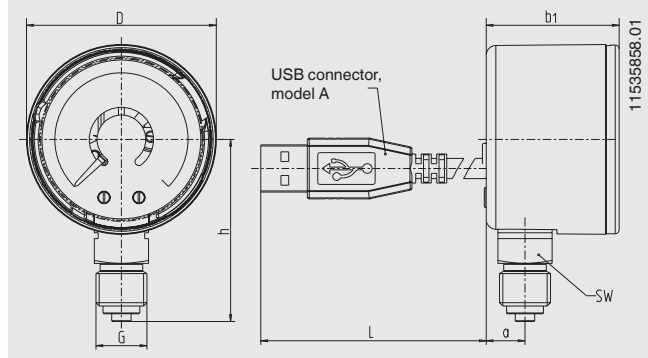
- Other process connection
- Free visualisation software at www.wika.com



Dimensions in mm

Standard version

Lower mount (LM)



NS	Dimensions in mm							Weight in kg	
	a	b ₁	D	G	L	h	SW		
50	10	34.4	49	G 1/4 B	2,000	47	14	0.2	

Ordering information

Model / Nominal size / Scale range / Connection size / Connection location / Options

© 2012 WIKA Alexander Wiegand SE & Co. KG, all rights reserved.
The specifications given in this document represent the state of engineering at the time of publishing.
We reserve the right to make modifications to the specifications and materials.



WIK A Alexander Wiegand SE & Co. KG
 Alexander-Wiegand-Straße 30
 63911 Klingenberg/Germany
 Tel. (+49) 9372/132-0
 Fax (+49) 9372/132-406
 E-mail info@wika.de
www.wika.de